



A modular truss system with unlimited possibilities. Made in strong and durable materials: aluminum, steel and composite. Foldable construction - very easy to assemble and disassemble.

Supplied complete with:

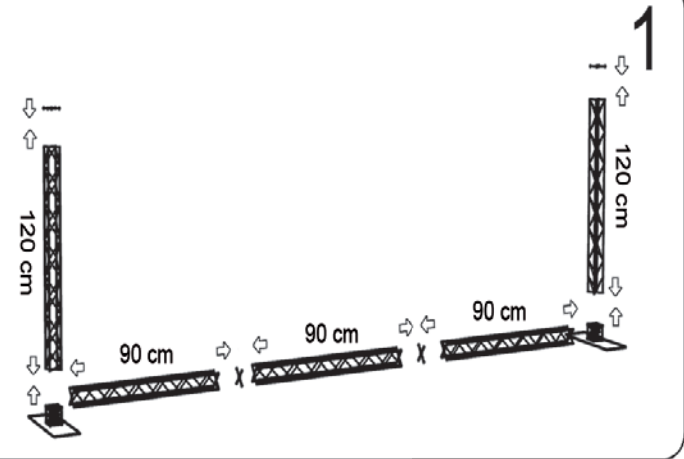
- 8 x 90 + 2 x 120 cm Modules,
- 4 x Corner Block,
- 6 x Connector Cross,
- 2 x Middle Base,
- 18 x Top and Bottom Clips,
- 6 x 90 cm Alu Profile,

Delivered without banner.



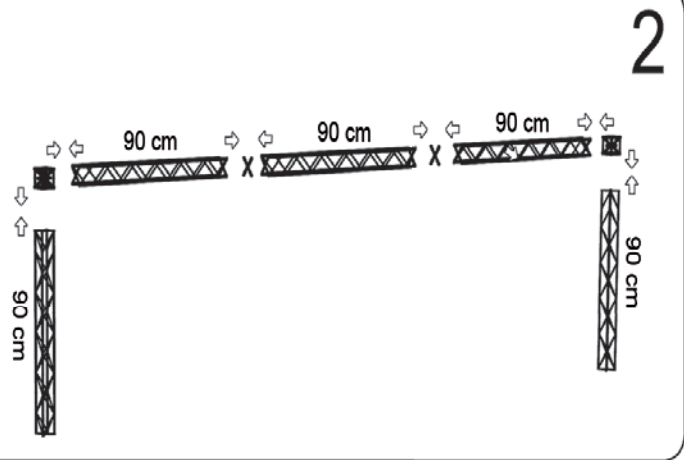
LOWER PART:

- 3 x
- 2 x
- 2 x
- 3 x



UPPER PART:

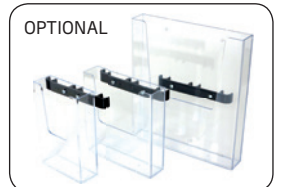
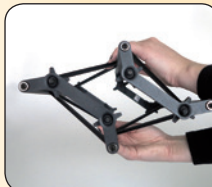
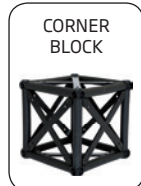
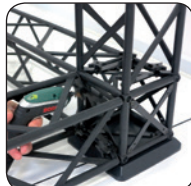
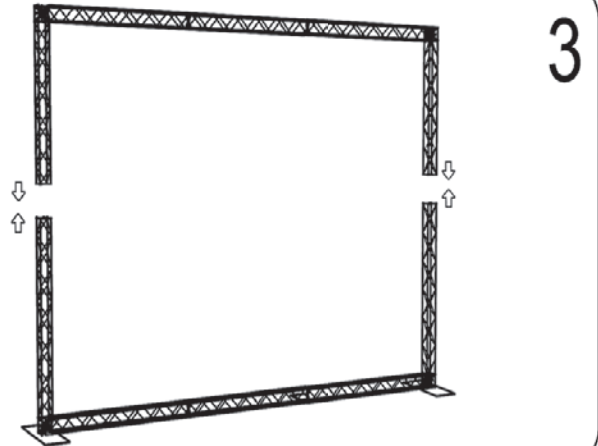
- 5 x
- 2 x
- 1 x



ASSEMBLY

Mount upper part on top of lower part.

Install Banners before raising Tower.



Model	Art.no.	Print size	Colour	Total W x H x D	Package and weight
766	1766	274 x 212 cm	Black	307 x 246 x 60,5 cm	1 pc. cardboard box 32 kg